

ST-Blade Compact Fuse Block

Provides surface mount circuit protection for ATO/ATC fuses & circuit breakers in a compact footprint. The single side design allows wire entry on one side to maximise space

- Compact common source fuse blocks
- Accepts ATO® and ATC® fast acting blade fuses
- Single side entry wiring
- Ignition Protected – safe for use in a gasoline engine compartment
- Insulating cover meets ABYC/USCG insulation requirements
- Tin-plated Copper buses and fuse clips
- Accepts ring or snap fork type terminals
- Small format standard and custom labels available
- Fuses sold separately

IGNITION PROTECTED



5045



5046

Related Products



ATO or ATC Fuses



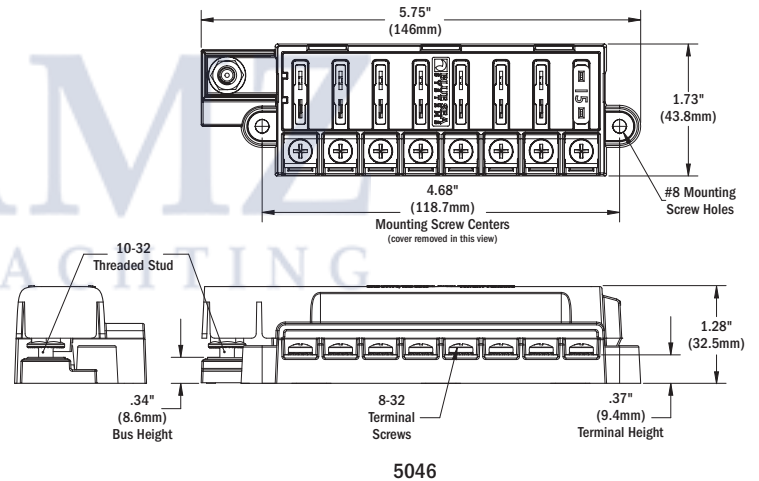
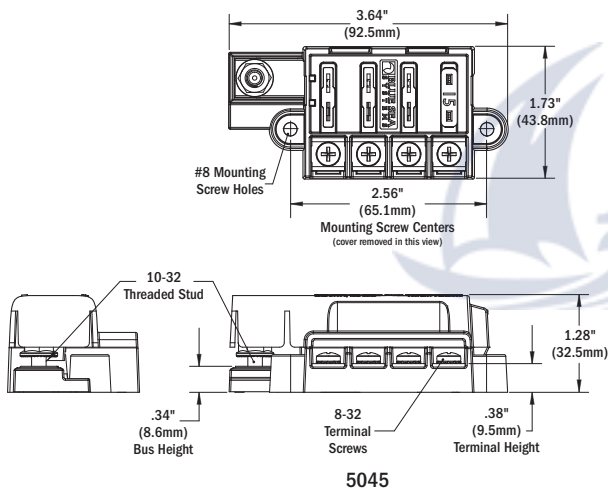
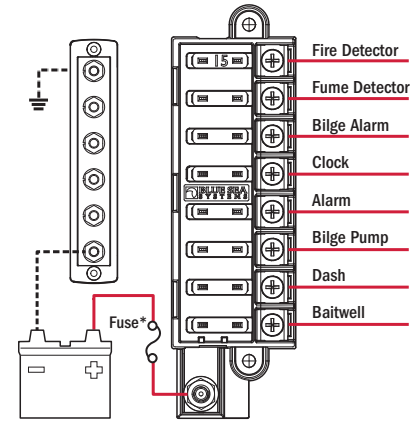
EasyID ATC Fuses

Specs

Voltage Max. Operating	32V DC
Amperage Max. Operating	30A per circuit / 100A per circuit
Fuse Type	ATO or ATC fuses
Mounting Thru-hole	Accepts #8 mounting screws
Screw Terminal	#8-32 Screws with captive star lock washer
Stud Terminal	1x #10-32
Mounting	#8 Screw (M4)
Regulatory	Meets ISO 8846 and SAE J1171 external ignition protection requirements

Part #	Circuits	Cover
5056	4	Yes
5056100	8	Yes

Application Diagram Eight 24-Hour Circuits



* Suitable circuit protection required at source of power. See circuitwizard.blueseasystems.com.

Specifications subject to change. See blueseasystems.com for current information.